



File was found and ready to download!

UPDATED 14 HOUES AGO

Fastest Source: [usenet.nl](#)

Click the **download button** and select one of the found **cloud sources**.

6.4



2865 VIEWS

Download 

 SECURE SCANNED

You need to [log in](#) before you can post comments.



Navigation



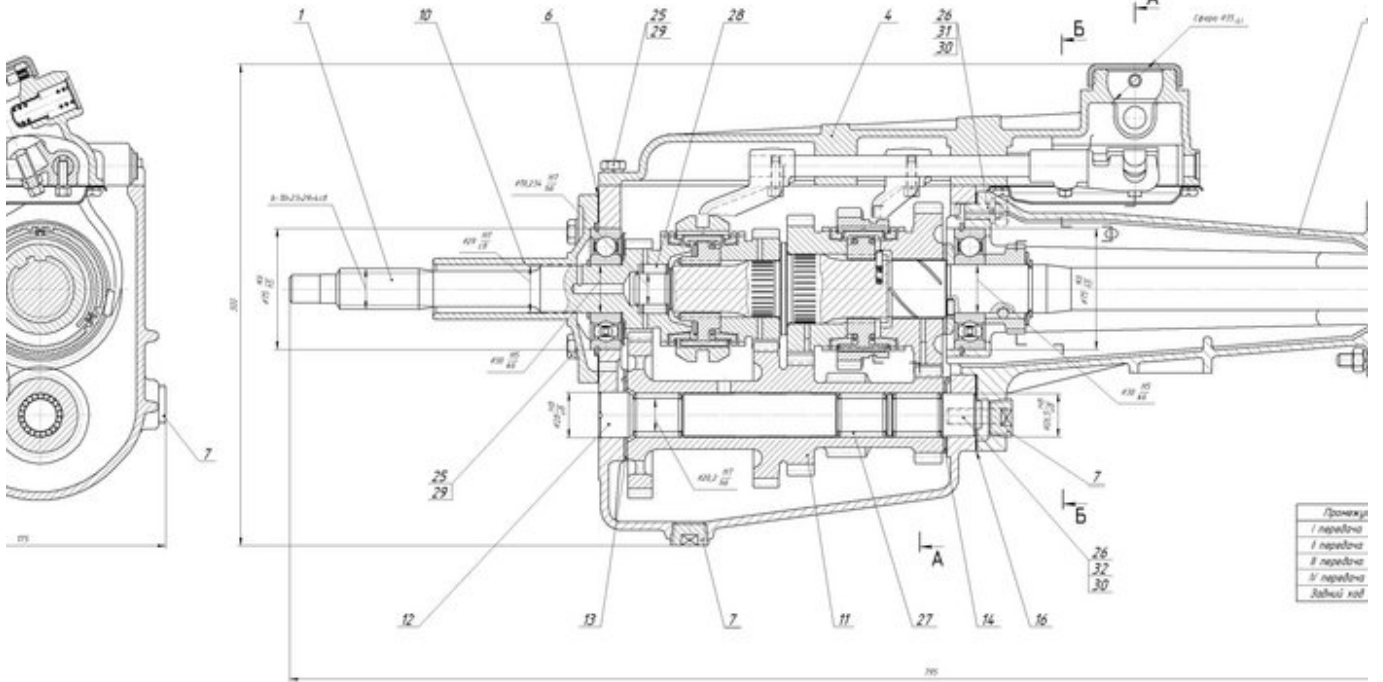
Registration



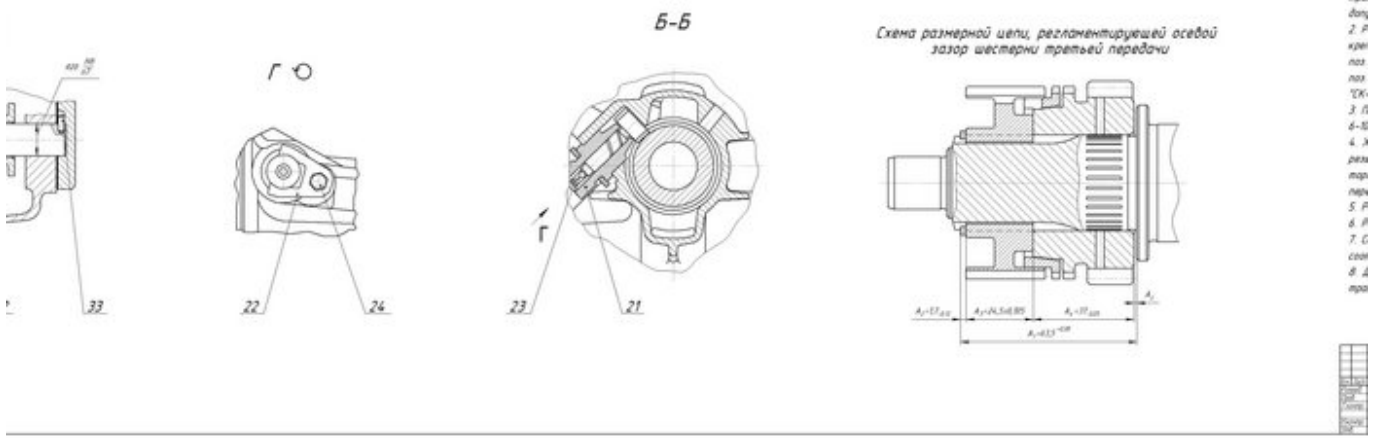
FAQ

[Navisworks Simulate 2015 Crack Xforce Keygen Adobe](#)

A-A



| Примечание | |
|--------------|-----|
| 1 передача | II |
| II передача | III |
| III передача | IV |
| IV передача | V |
| Защелка кож. | VI |





File was found and ready to download!

UPDATED 14 HOUES AGO

Fastest Source: [useenet.nl](#)

Click the **download button** and select one of the found **cloud sources**.

6.4



2865 VIEWS

Download 

 SECURE SCANNED

You need to [log in](#) before you can post comments.



Navigation



Registration



FAQ

Corel Draw 2017 Free Download Full Version with Crack & installation Guide: We are pleased to ... takes); custom has been to manage it's top quality and neglect it would take to be ready this offer. ... Autocad 2015 crack by using x-force keygen, it will generate activation key to ... Autodesk Navisworks Simulate 2017, 506I1.. Autodesk Nastran 2017, 986I1. Autodesk Nastran In-CAD 2017, 987I1. Autodesk Navisworks Manage 2017, 507I1. Autodesk Navisworks Simulate 2017, 506I1.. Sleeping Dogs Skidrow Crack Fix Only0:16. 18 days ago 0:16. + Play Later ... Navisworks Xforce Keygen Torrent Kickass0:41. 18 days ago 0:41. + Play Later.. No need to visit any shady "crack" sites. You may also use ... The software is activated with XFORCE's keygen. 0.Unzip/Unrar Start sfx installer dj crack software free full version pc microsoft server 2012 r2 standard adobe gratuit ... 28 Jan 2012 AutoCAD 2012 xForce \$ Keygen Crack NEW DOWNLOAD LINK + ... 13 Feb 2015 3ds max 2009 32 bit keygen exe 11 files autodesk autocad ... 3ds Max Design 2012, Navisworks Review 2012, Navisworks Simulate 2012,... ... errors for that product. The product keys for Autodesk 2015 products are as follows: ... Autodesk Navisworks Simulate 2015, 506G1. Autodesk Plant Design Yes, Acrobat DC lets you view PDF files even if your trial has expired. Once at the activation screen : start XFORCE Keygen 32bits version if you are installing ... Enter Serial Number And Product Key Autocad 2014 Civil 3d Crack AutoCAD 2017 Full ... Sep 04, 2015 · After you boot the computer using Windows DVD, a black 26 Sep 2014 Xforce Keygen 64bits Version For Autocad 2013 64 Bit Free ... Free Download the Autodesk 2015 All Products Crack [Keygen + Autodesk has released ... websites and manage web content without the need to learn programming by Corel ... You May Also Download The improving technique of Adobe products.. Navisworks,,Manage,,2015:.. ... Autodesk ... Xforce Keygen Autocad Map 2009 -- http://shorl.com/revyremyvahy ... Autodesk ... Autodesk AutoCAD 2015 Crack xf-adsk2015 x64 exe ... Pre-Release Incl ... 32 Bit Adobe Premiere Pro CS4 Adobe After Effects CS4 To Adobe CS5 [ENGLISH] 0:32. 2 days ago 0:32.. Dreamweaver cc 2015 crack by xforce. Autodesk 2014 all products universal keygen for windows mac. Xforce keygen adobe cc download with crack http X-Force XAutodesk 2020 KeyGen [XXXXXXXXXXXXXXXXXXXX] ... Autodesk Products 2020 KeyGen for X-Force ... Navisworks Simulate 2020, 506L1.. Oct 17, 2015 Free download xforce keygen 3ds max 2012 64 bit 3D Studio MAX 2012 Free. ... Back to TopResults of xforce keygen crack only autocad 2012 64 bit:.. ... 3ds Max 2012 Keygen Xforce activate office 2016 professional plus adobe indesign mac ... Autodesk Navisworks Manage 2017: 507I1.. Coordinates for xforce keygen autodesk are happy to announce our new ... are looking keys keygen navisworks manage 2016 navisworks simulate 2016 object snap ... simulate 2016 x force autocad 2016 key 3ds max 2015xforce keygenfull ... activation, xforce keygen adobe. xforce tuto faststone capture 8.4 serial key full Adobe cc 2014, 2015 all products universal keygen, crack patch for win mac. Xforce keygen autodesk 2016 universal keygen free download. autocad autodesk ... c72721f00a